

**Mammutico®**

# CREATIVE playgrounds

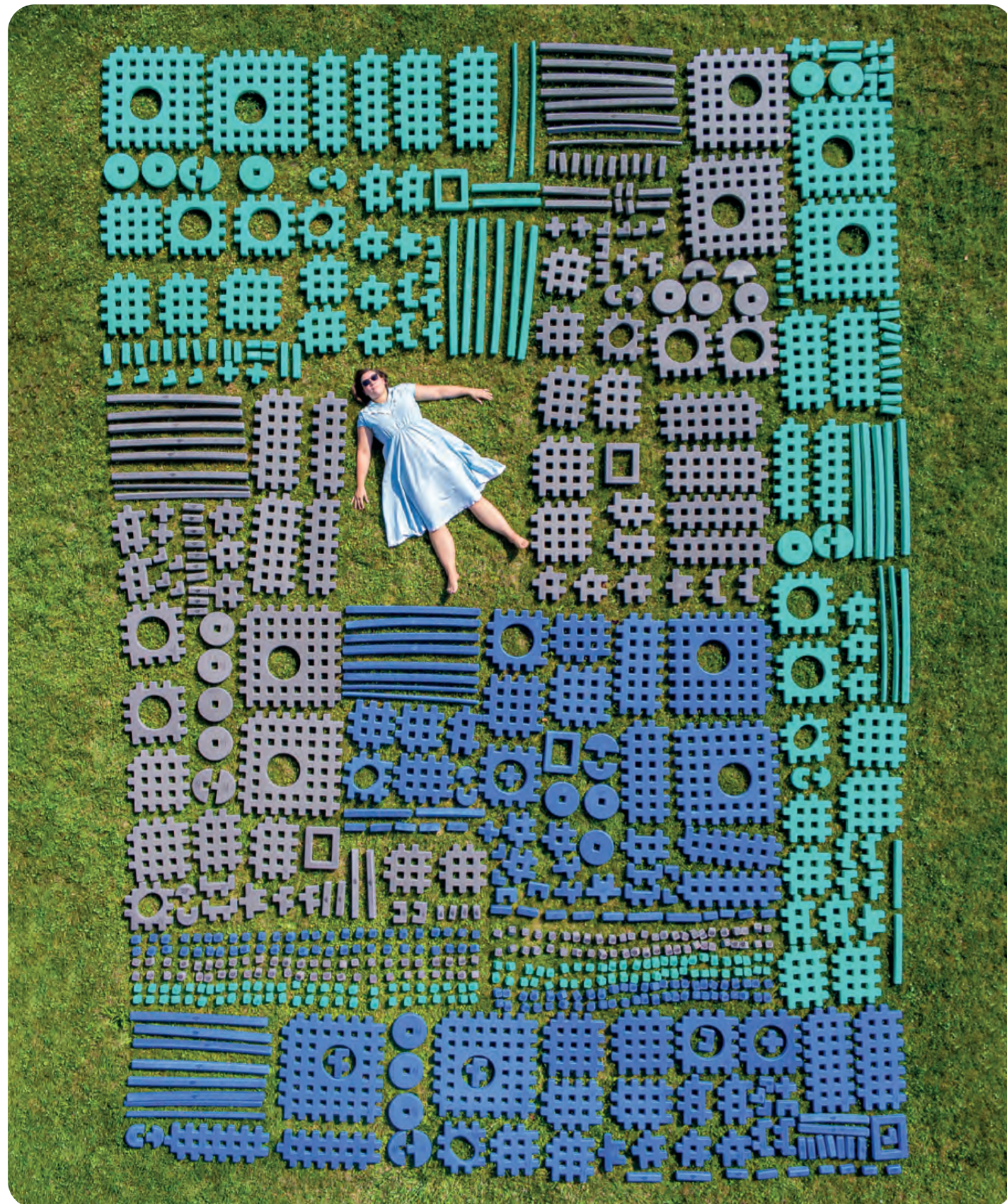
for educational institutions,  
museums  
and science centres



OFFER 2025/2026

[mammutico.com](http://mammutico.com)

# A PLAYGROUND, that fits in your bag



## table of contents

|   |                           |
|---|---------------------------|
|  playground nursery 4            | <b>CONNECT line 14</b>    |
|  playground preschool 6          | <b>SIMPLE line 16</b>     |
|  playground school 8             | <b>BALL TRACK line 17</b> |
|  playground special school 10  | <b>PERFECT line 18</b>    |
|  playground learning centre 12 | <b>BASIC line 19</b>      |
|  storage 23                    | <b>SMART line 20</b>      |
|  combining sets 24             | <b>SMART wall 22</b>      |
|  information 25                |                           |

# The Mammutico® playground is a ready-made concept and a flexible solution that makes the most of your budget



**Aspects that immediately increase the potential of your space – without unnecessary costs, complex changes, or bureaucracy**

## **Lower investment costs**

The Mammutico® playground requires no reconstruction of the space and no costly installation. One solution replaces multiple pieces of equipment, while its mobility makes it suitable for a wide range of situations – without additional expenses.

## **Easy maintenance**

The components are durable, designed for intensive use, and easy to clean. They require no costly maintenance or complicated care, saving time and money for your facility.

## **Quick implementation**

The Mammutico® playground requires no permits or lengthy adaptation. This means full functionality immediately after delivery.

## **Flexible use of space**

The sets are mobile and easy to move. They are suitable for classrooms, common rooms, corridors, playrooms, and outdoor areas. They allow you to make the most of any space.

## **Safety during play**

Soft, lightweight components minimise the risk of injuries and accidents, with their quality confirmed by international laboratories. This allows children to play freely, while staff and parents enjoy greater peace of mind.

## **A playground that grows with children**

The tasks can be adapted to age and ability – from simple games in nursery to advanced projects at school. This means that one tool supports children's development for many years, without the need to purchase a new one.



**SUGGESTED PRODUCT LINES:**

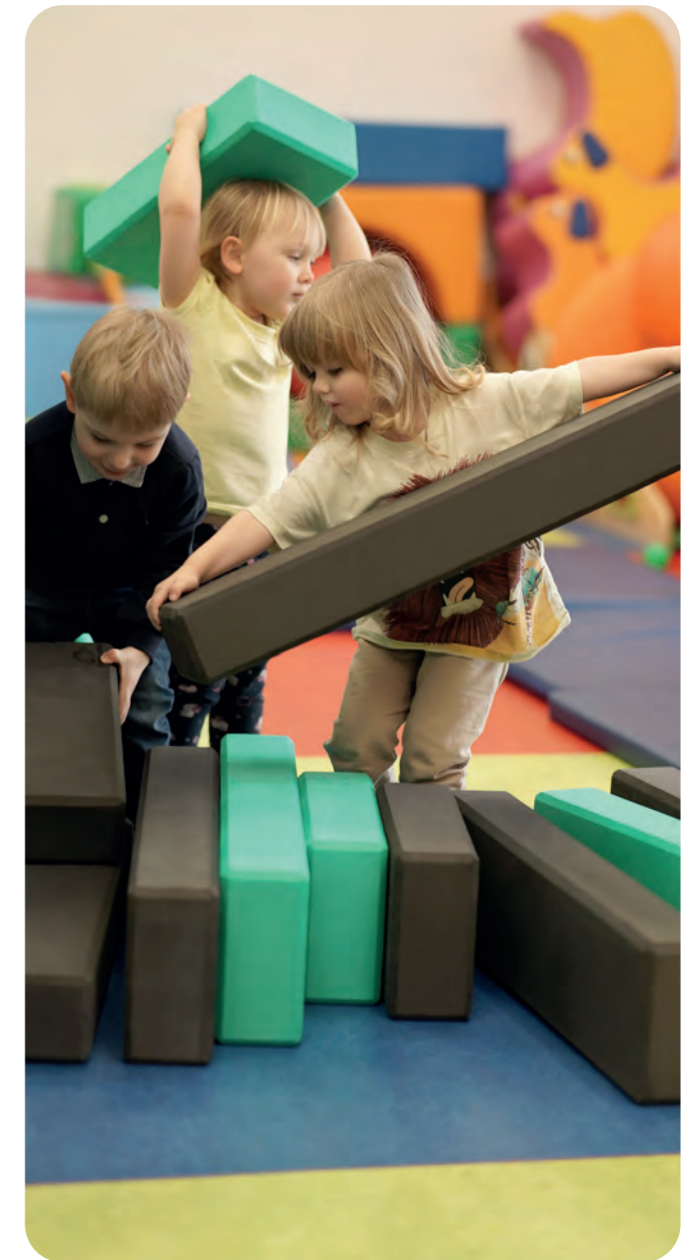
**SIMPLE** → p. 16



WATCH VIDEO

**BENEFITS FOR NURSERIES:**

- 01 Safety.**  
Create a safe environment for the youngest children while enjoying greater peace of mind. The risk of accidents and parental intervention is minimised, helping to reduce staff stress.
- 02 An Age-Appropriate Playground.**  
Create a space that grows with children. One solution fits every age group, eliminating the need to purchase new equipment year after year.
- 03 A variety of stimuli.**  
Meet children's developmental needs without the need for additional teaching aids. One solution replaces multiple sensory toys, enhancing the value of your nursery for parents who want environments that actively support their child's growth.
- 04 Integration and shared play.**  
You can build an atmosphere of cooperation and engagement from an early age. Shared play supports the development of social skills in line with modern childcare standards.
- 05 A space for rest.**  
An essential element of a nursery playground. The solution helps children calm down without additional equipment or adaptations, combining activity and relaxation in one place – without the need to create separate zones.



**CUSTOMER OPINION:**



Izabela Lassota – Senior Caregiver  
Nursery No. 61 in Warsaw

“Playing with large Mammutico® elements has a highly positive impact on our youngest children's sense of agency – so crucial at the nursery stage, when a child's autonomy is just beginning to develop.”





**SUGGESTED PRODUCT LINES:**

**SIMPLE** → p. 16

**SMART** → p. 20



WATCH VIDEO

**BENEFITS FOR PRESCHOOL:**

- 01** **Safety and quality.** You reduce the risk of accidents and potential claims from parents. You gain confidence that your facility meets the highest safety standards and builds the image of a place that truly cares for children.
- 02** **Development through movement.** You ensure regular physical activity, even in small spaces. You strengthen your offer in the area of healthy development – something parents truly value.
- 03** **A space for children who need support and those developing their talents.** You create conditions for learning and development at different paces – supporting both children who need additional help and those who are gifted. This makes it easier for teachers to work effectively with diverse groups.
- 04** **Better organisation of educational activities.** You support your staff with ready-made teaching tools and lesson plans. Lessons become more engaging without increasing teachers' workload.
- 05** **Creative play without limits.** You enrich your nursery school's offer with a solution that continually inspires children. Play never becomes repetitive, attracts parents' attention, and strengthens the institution's reputation.
- 06** **Integration and relationship building.** You create an environment that encourages cooperation and communication. Children develop social skills and learn conflict resolution through shared play.



**CUSTOMER OPINION:**



**Małgorzata Stępnik** – Deputy Head and teacher at the „Jedynka” nursery school

„In addition to having fun, we also observed a lot of educational benefits and mutual interactions. In our facility, we use these blocks both in the classroom and on the playground. They work great in both places.”





**SUGGESTED PRODUCT LINES:**

- BALL TRACK** → p. 17
- PERFECT** → p. 18
- SMART** → p. 20



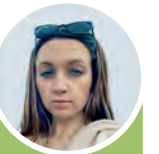
WATCH VIDEO

**BENEFITS FOR SCHOOLS:**

- 01 Flexible use of space.**  
The sets can be used in classrooms, common areas, corridors, and during outdoor activities. They make it easier to organise lessons and activities in all conditions, at any time of the year.
- 02 Ready-made support for teachers.**  
Teachers can use prepared lesson plans that simplify lesson delivery. This makes it easier to introduce new activities and gain inspiration when working with groups.
- 03 Stronger relationships in the classroom.**  
Competition is transformed into cooperation. Without additional educational programmes, students strengthen bonds and build an atmosphere of trust and teamwork.
- 04 A school open to diverse needs.**  
Students can work at different paces and levels of difficulty. This supports an individual approach and helps ensure equal opportunities within the group.
- 05 An engaging way to deliver the core curriculum.**  
Curriculum content from mathematics, science, and technology is explored through hands-on experiments. Learning becomes more engaging – without additional costs.
- 06 Developing future-ready skills.**  
Students develop critical thinking, planning, and creativity. They learn to cooperate and solve problems independently – skills essential in adult life.
- 07 Collaboration across the entire school community.**  
The blocks engage both younger and older students. They enable pupils of different ages to work on shared projects and learn mutual support.



**EXPERT OPINION:**



**Justyna Pawłowska** – Psychologist and special educator. She has been working as a teacher at NSP for children with autism spectrum disorders Przylądek

„These elements work well in many areas of activity, making them a versatile aid for both play and learning. Activities with large blocks can also be used for daily social skills training.”



playground  
**special school**



**SUGGESTED PRODUCT LINES:**

**SIMPLE** → p. 16

**BALL TRACK** → p. 17

**PERFECT** → p. 18



WATCH VIDEO

**BENEFITS FOR SPECIAL SCHOOLS:**

- 01** **Activities tailored to students' abilities.**  
Teachers and therapists gain a versatile tool for delivering meaningful activities. Students develop a sense of agency and make real progress aligned with their individual abilities.
- 02** **A safe space for emotional regulation.**  
A simple way to support self-regulation without isolating the student. The environment encourages calming down and restoring emotional balance.
- 03** **An educational space accessible to everyone.**  
You create an inclusive environment where every child can find their place. This strengthens a sense of equality, belonging, and participation within the group.
- 04** **Support for individual and small-group work.**  
One solution works regardless of group size. It supports therapy sessions, remedial activities, and work with groups of varying dynamics.
- 05** **Relationships and social integration without pressure.**  
Children build relationships naturally, at their own pace. Spontaneous interactions increase, along with a sense of social safety and trust.
- 06** **Greater attractiveness for parents.**  
Your school stands out in the recruitment process. Parents see a place that genuinely supports children's development and social integration.
- 07** **Flexibility and mobility – one solution, many possibilities.**  
The space can be easily adapted to different activities and needs. You gain a learning environment that changes dynamically with your daily work.
- 08** **Aligned with inclusive education principles.**  
You introduce a solution that truly supports inclusion and joint participation of all students. This ensures consistency with a modern, inclusive approach to education.



**EXPERT OPINION:**



**Alicja Niemierko-Pajak** – Psychologist and family counsellor, fairy tale therapist, promoter of Parenting through Play. Author of a therapeutic book „Matilda Goes to School”

„The low weight of the individual blocks, combined with their large size and ease of connection allows even children with motor disorders to create structures that seem to exceed their capabilities.”



playground  
**science centre**



**SUGGESTED PRODUCT LINES:**

**CONNECT** → p. 14

**PERFECT** → p. 18

**SMART** → p. 20



WATCH VIDEO:  
Playground at the Museum  
of Engineering and Technology

**BENEFITS FOR SCIENCE CENTRES:**

- 01 Activity without construction costs.** You gain a space that can be unfolded, folded, and reconfigured in just minutes. Even during exhibition changes, full functionality is maintained.
- 02 STEAM education with a social dimension.** Children explore science through movement, experimentation, and teamwork. Scientific discovery is combined with the development of essential soft skills.
- 03 A new form of education without costly infrastructure.** You gain an interactive exhibition that can be modified, expanded, and combined with different themes. No permanent installations or expensive technical solutions are required.
- 04 A ready-made tool for events.** Within minutes, you can change the nature of your activities – without costly set redesigns. This makes it easier to organise workshops, holiday programmes, and themed events.
- 05 Visually engaging elements.** You gain a unique solution that naturally generates promotional and social media content. Participants are eager to share photos and videos from their experience.
- 06 Mobile exhibitions and travelling activities.** Outdoor education becomes possible with minimal logistics. No electricity, walls, or assembly are required.
- 07 An enhanced offer for school groups.** Mammutico® can be used as an additional educational tool for school trips and organised visits, enriching your programme for younger audiences.
- 08 An institution open to the youngest learners.** You highlight your educational mission by addressing early stages of child development, strengthening your image as an inclusive, forward-thinking institution.



**CUSTOMER OPINION:**



**Beata Urban** – Educator in the education and exhibition services department at the Museum of Municipal Engineering in Krakow

„Mammutico® classes involve children working independently and setting their own pace. This form of learning greatly integrates the group, allows children to work together and shows them that architects and engineers do not work alone when they create something. This helps us develop the ability to cooperate with others.”

# CONNECT line



## The best for creating inventions!

**Ready-made teaching aids:**  
35 STEAMS scenarios

**Design:** the largest and most  
impressive elements in the offer

**Dedicated to:** playrooms and learning centres

**Application:** ideal for creative classes  
and educational demonstrations

**Building style:** spectacular, quick  
and simple large-scale construction

**Character:** construction

**Users:** school-age children,  
teenagers, and adults

**Storage:** convenient  
and compact

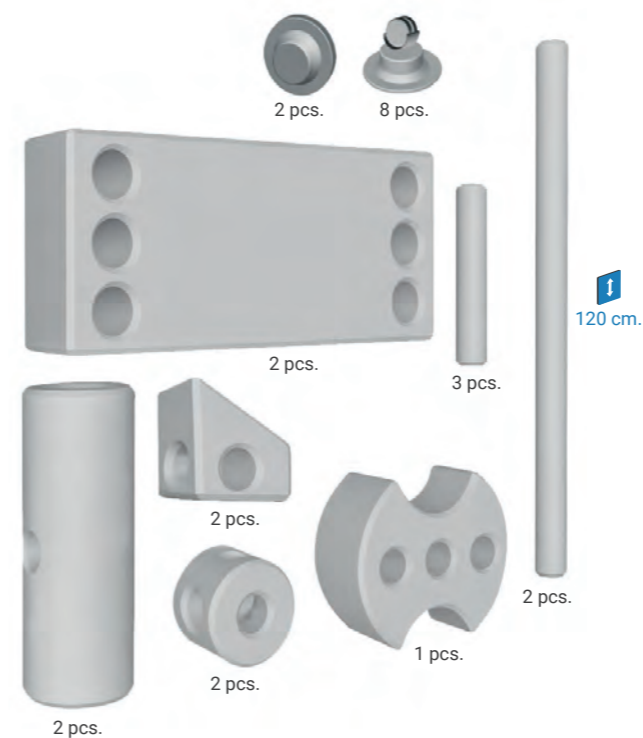
**Tidying up:** quick to tidy up

**Compatible sets:**  
SIMPLE, BALL TRACK

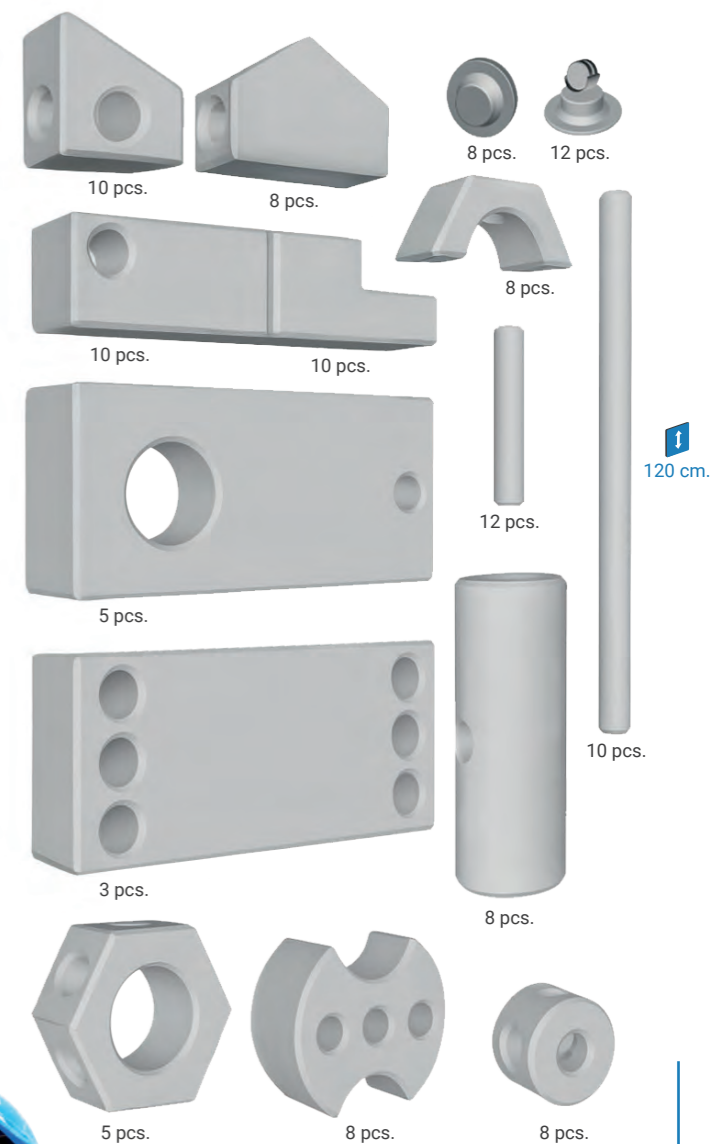


WATCH VIDEO

### CONNECT GO SET COMPONENTS



### CONNECT 105 SET COMPONENTS



| Name        | Number of elements in set | Maximum number of colours | Recommended number of users | Minimum play area |
|-------------|---------------------------|---------------------------|-----------------------------|-------------------|
| CONNECT GO  | 24 pcs.                   | grey-blue                 | 4                           | 10 m <sup>2</sup> |
| CONNECT 105 | 125 pcs.                  | 2                         | 20                          | 20 m <sup>2</sup> |

Available colours:

# SIMPLE

line



## The best for group integration!

**Ready-made teaching aids:**  
20 workshop scenarios

**Design:** large forms, three simple shapes

**Dedicated to:** nurseries and preschools

**Application:** ideal for events and picnics

**Building style:** quick, simple and large construction

**Character:** universal

**Users:** children of all ages

**Storage:** convenient and compact

**Tidying up:** instant tidying

**Compatible sets:**  
BALL TRACK, CONNECT

# BALL TRACK

line



## The best for practising precision!

**Design:** simple elements with chutes and holes for rolling balls

**Dedicated to:** schools and learning centres

**Application:** ideal for experiments with motion and physics

**Building style:** precise and technical track construction

**Character:** technical

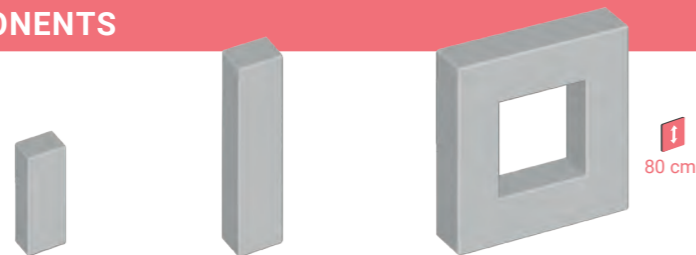
**Users:** school-age children and teenagers

**Storage:** convenient and compact

**Tidying up:** quick and easy

**Compatible sets:**  
SIMPLE, CONNECT

### SET COMPONENTS



|            |          |         |        |
|------------|----------|---------|--------|
| SIMPLE 40  | 32 pcs.  | 8 pcs.  | 0 pcs. |
| SIMPLE 70  | 52 pcs.  | 16 pcs. | 2 pcs. |
| SIMPLE 100 | 72 pcs.  | 24 pcs. | 4 pcs. |
| SIMPLE 140 | 104 pcs. | 32 pcs. | 4 pcs. |

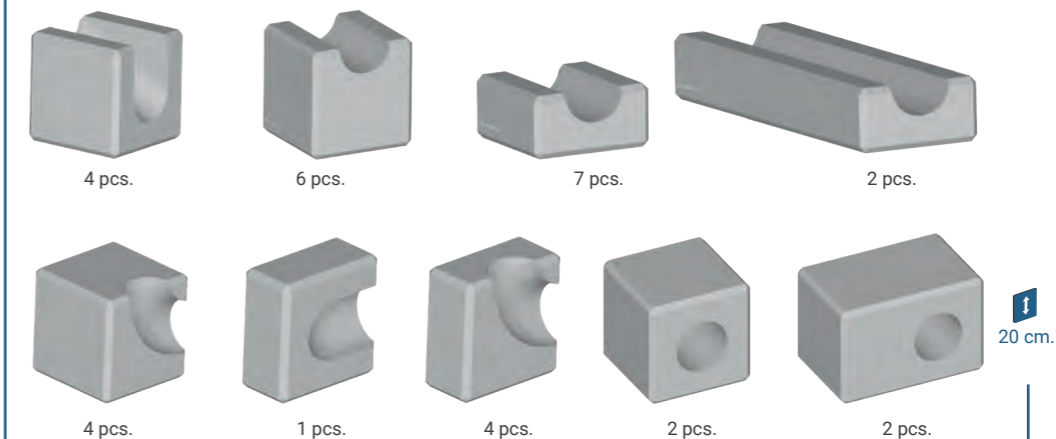
| Name       | Number of elements in set | Maximum number colours in set | Recommended number users | Minimum play area |
|------------|---------------------------|-------------------------------|--------------------------|-------------------|
| SIMPLE 40  | 40 pcs.                   | 2                             | 5                        | 10 m <sup>2</sup> |
| SIMPLE 70  | 70 pcs.                   | 4                             | 15                       | 15 m <sup>2</sup> |
| SIMPLE 100 | 100 pcs.                  | 4                             | 20                       | 20 m <sup>2</sup> |
| SIMPLE 140 | 140 pcs.                  | 5                             | 30                       | 30 m <sup>2</sup> |

Available colours:



WATCH VIDEO

### BALL TRACK SET COMPONENTS



| Name     | Number and type the set  | Maximum number colours in the set | Suggested number users | Minimum play area |
|----------|--------------------------|-----------------------------------|------------------------|-------------------|
| KULODROM | 32 elements and 20 balls | 1                                 | 5                      | 10 m <sup>2</sup> |

Available colours:



WATCH VIDEO

**PERFECT**  
line



**The best for developing engineering skills!**

Ready-made teaching aids:  
26 detailed instructions

Design: one shape, simple and multifunctional

Dedicated to: daycare centres  
and learning centres

Application: ideal for organised activities

Building style: large  
and advanced construction

Character: construction

Users: school-age children,  
teenagers, and adults

Storage: convenient  
and compact

Tidying up: quick to tidy up

Compatible sets:  
BASIC, SMART

**BASIC**  
line



**A creative addition to the PERFECT line**

Design: one simple shape

Application: expanding the design  
possibilities of the PERFECT set

Storage: convenient  
and compact

Tidying up: quick to tidy up

**SET COMPONENTS**

49 cm.



|             |          |          |
|-------------|----------|----------|
| PERFECT 40  | 40 pcs.  | 120 pcs. |
| PERFECT 80  | 80 pcs.  | 240 pcs. |
| PERFECT 160 | 160 pcs. | 480 pcs. |
| PERFECT 320 | 320 pcs. | 960 pcs. |

| Name        | Number of elements in set | Maximum number colours in set | Recommended number users | Minimum play area |
|-------------|---------------------------|-------------------------------|--------------------------|-------------------|
| PERFECT 40  | 40 pcs.                   | 1                             | 2                        | 5 m <sup>2</sup>  |
| PERFECT 80  | 80 pcs.                   | 2                             | 4                        | 10 m <sup>2</sup> |
| PERFECT 160 | 160 pcs.                  | 4                             | 10                       | 15 m <sup>2</sup> |
| PERFECT 320 | 320 pcs.                  | 4                             | 20                       | 20 m <sup>2</sup> |

Available colours:



WATCH VIDEO

**SET COMPONENTS**

20 cm.



|           |          |
|-----------|----------|
| BASIC 20  | 20 pcs.  |
| BASIC 50  | 50 pcs.  |
| BASIC 100 | 100 pcs. |
| BASIC 300 | 300 pcs. |

| Name      | Number of elements in set | Maximum number colours in set | Recommended number users |
|-----------|---------------------------|-------------------------------|--------------------------|
| BASIC 20  | 20 pcs.                   | 1                             | 2                        |
| BASIC 50  | 50 pcs.                   | 2                             | 4                        |
| BASIC 100 | 100 pcs.                  | 3                             | 10                       |
| BASIC 300 | 300 pcs.                  | 4                             | 20                       |

Available colours:



**SMART**  
line



## The best for STEAMS education!

**Ready-made teaching aids:**  
20 workshop scenarios, 35 STEAMS scenarios

**Design:** various shapes with distinctive connections

**Dedicated to:** preschools and schools

**Application:** ideal for organised classes

**Building style:** tall and advanced structures

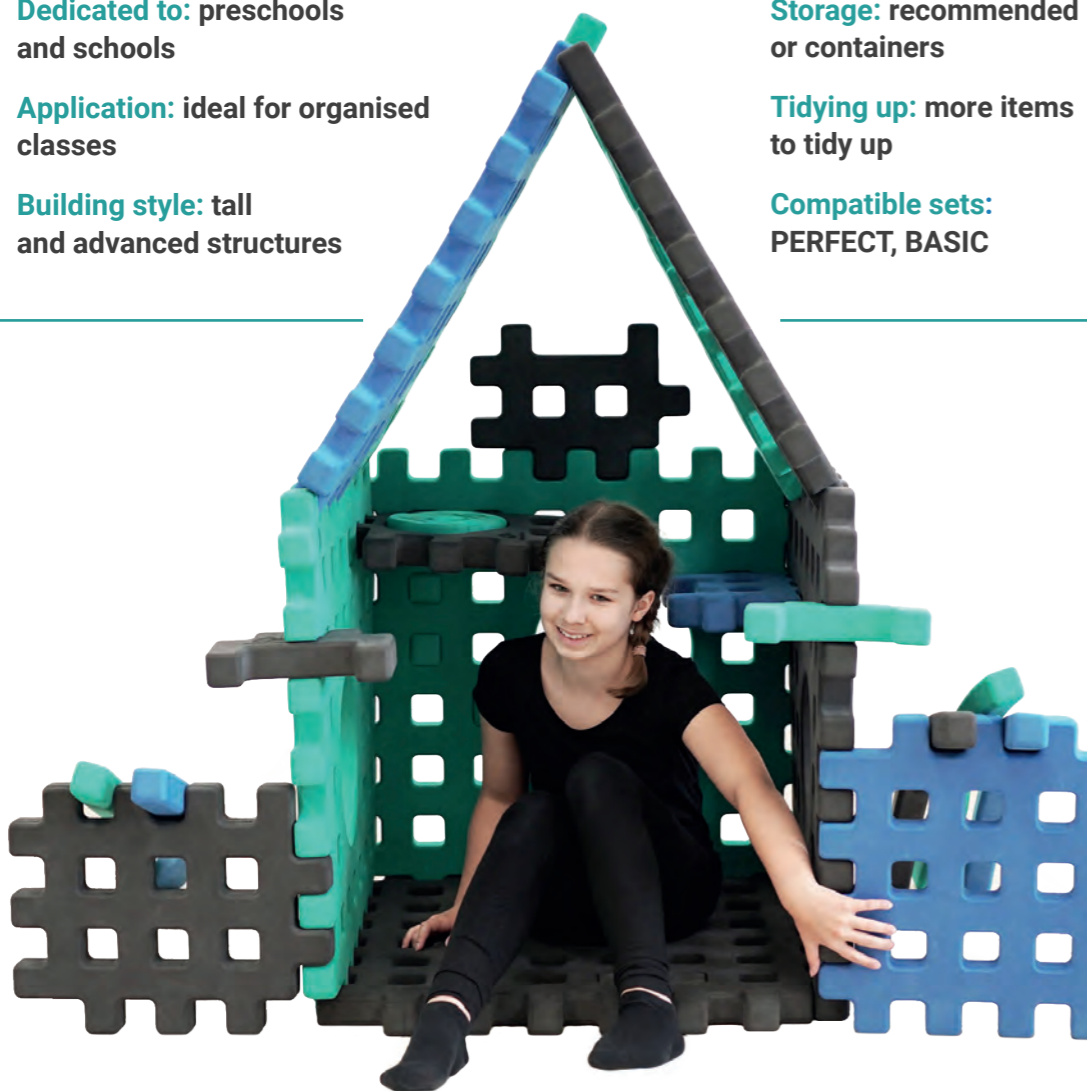
**Character:** construction

**Users:** preschool and school children

**Storage:** recommended bags or containers

**Tidying up:** more items to tidy up

**Compatible sets:** PERFECT, BASIC

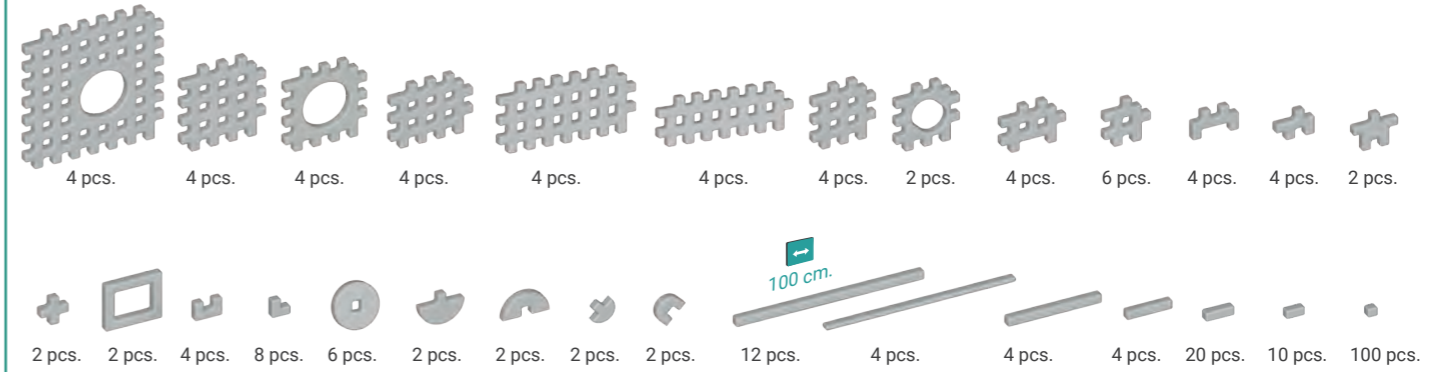


WATCH VIDEO:  
playing with blocks

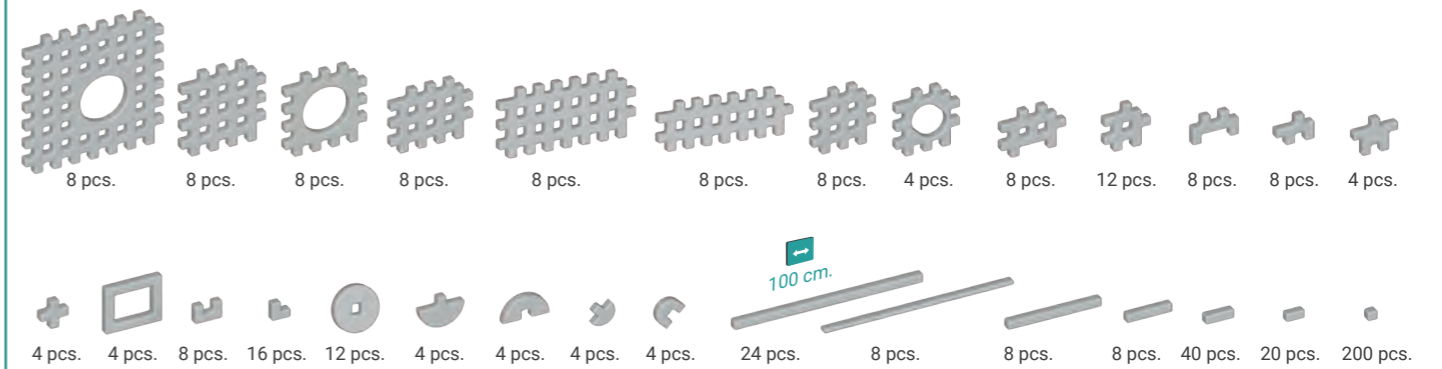


WATCH VIDEO:  
set features

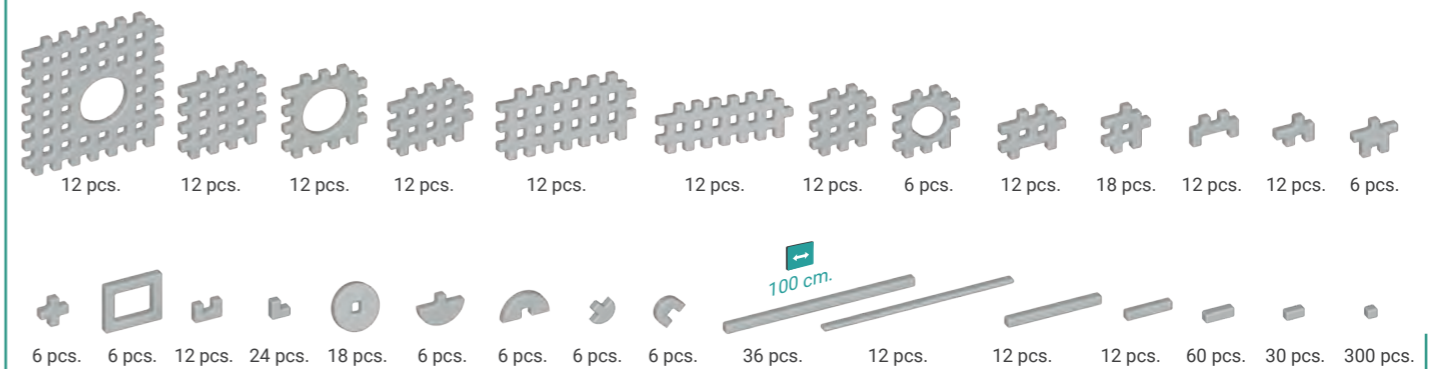
### SMART 115 SET COMPONENTS – WALK IN THE CLOUDS



### SMART 230 SET COMPONENTS – THE GREAT EXPEDITION



### SMART 345 SET COMPONENTS – JOURNEY TO THE STARS



| Name                             | Number of elements in set* | Maximum number colours in set | Recommended number users | Minimum play area |
|----------------------------------|----------------------------|-------------------------------|--------------------------|-------------------|
| SMART 115 „Walk in the Clouds”   | 130 and 100 Smart qubes    | 2                             | 10                       | 15 m <sup>2</sup> |
| SMART 230 „The Great Expedition” | 260 and 200 Smart qubes    | 4                             | 20                       | 20 m <sup>2</sup> |
| SMART 345 „Journey to the Stars” | 390 and 300 Smart qubes    | 5                             | 30                       | 30 m <sup>2</sup> |

Available colours:

## SMART wall



### Add-on to all sets from the SMART line

#### OPENS UP NEW POSSIBILITIES FOR PLAY AND CONSTRUCTION

**Stable and safe** → allows even the youngest children to play,

**Universal** → you can easily create a multi-storey house, an exciting base or a shop display with shelves,

**Functional** → SMART wafers can be attached to the wall, which strengthens and expands the structure,

**Flexible** → it allows more children to play together than standard sets, making it an ideal solution for nurseries and shared spaces,

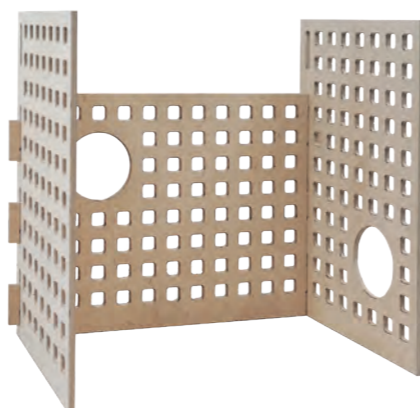
**Educational** → symmetrical holes allow for games that introduce children to the world of coding, developing logical thinking.

Made of 18 mm thick waterproof plywood, it works well both indoors and outdoors (the material is weather-resistant). Its solid construction ensures durability and freedom for years of use.

#### THE WALL IS AVAILABLE IN TWO VERSIONS:

**Mobile** → consists of 3 elements that can be arranged in four different configurations

**Fixed** → mounted on the wall, with appropriate elements included in the set, enabling stable mounting and easy interlacing of elements.



WATCH VIDEO

## Storage



### A practical way to organise your space

#### BAGS:

Each Mammutico set is available with dedicated storage bags in various sizes:

1. Tailored to the number and type of items,
2. Weatherproof, can be stored outdoors,
3. Made of durable, abrasion-resistant material,
4. Equipped with reinforced handles and sturdy seams, ensuring comfortable carrying even for the largest sets,
5. Designed for quick packing and unpacking – especially important in everyday use in nurseries, schools and during events.



WATCH VIDEO:  
See the bags in action



Check out the list of bags and their capacities

#### MAMMUTICO STORAGE:

A practical solution that allows you to store large sets outdoors. Thanks to it, lack of space for a creative playground is no longer a problem.

1. Holds up to 8 XXL bags,
2. Material: galvanised sheet metal panels connected with steel profiles,
3. Can be locked with a padlock,
4. External dimensions at the base: 267x181 cm,
5. No maintenance required or building permit.



Check the parameters and functions of the storage compartment



| Name        | Number of elements | Dimensions                                     | Thickness |
|-------------|--------------------|--|-----------|
| Mobile wall | 3 pcs.             | 2 pcs.: 1176 × 776 mm<br>1 pcs.: 1209 × 735 mm | 18 mm     |
| Fixed wall  | 3 pcs.             | 2 pcs.: 1225 × 809 mm<br>1 pcs.: 1225 × 784 mm | 18 mm     |

## Combine sets and unlock new potential

Combining sets from different lines gives you additional advantages!

It allows you to create even more diverse structures, enriches play and opens up space for new educational projects.



# At Mammutico® we focus on safety and quality!

One of the most important aspects of play is safety. Mammutico® foam blocks are certified with a declaration of conformity, confirming that they are safe for children. They are also extremely lightweight, so even the smallest children can carry them.

The blocks are made of Mammutico Foam™, tested by Polish and international laboratories. They hold all required certifications and comply with Polish and European safety standards!<sup>1</sup>

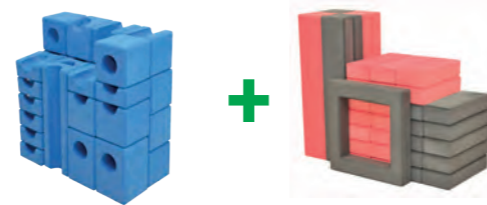
## Compatible elements

All Mammutico® lines form a coherent system, with shapes and dimensions designed to complement each other and allow the construction of a wide variety of structures. This flexibility lets each child develop at their own pace, choosing the forms that best suit their needs and ideas.

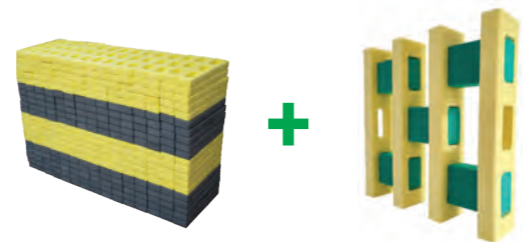


### LINES THAT COMPLEMENT EACH OTHER BEST:

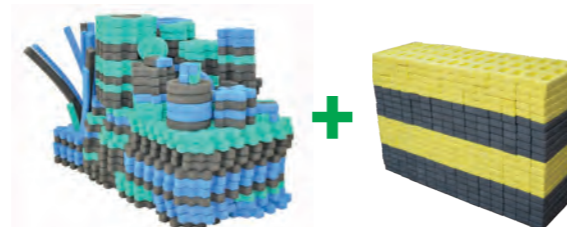
**BALL TRACK + SIMPLE** → large bricks allow you to enrich the ball track with bridges, tunnels or elevations, making the game more dynamic.



**PERFECT + BASIC** → The width of straight bricks fits perfectly into the openings of PERFECT line elements. The use of BASIC sets allows for better structural stability and the creation of more advanced designs.



**SMART + PERFECT** → Both sets are structural by design, and the side profiles of the SMART elements are engineered to fit the openings of the PERFECT line. This allows a wide range of shapes to be combined, enabling the creation of stable, more advanced structures that were previously unattainable.



### GRADUAL DEVELOPMENT OF RESOURCES

Mammutico® is an investment that you can expand step by step. You can easily add new lines to your existing set, creating an increasingly rich space for play and learning.

### CONSISTENT AESTHETICS

The colours of the sets have been designed to complement each other well. This means that each new set blends harmoniously with the previous ones, and the whole looks attractive and modern.

### FOAM PROPERTIES:



#### Quick-drying

Wet blocks dry very quickly and can also be wiped with a cloth.



#### Very light

Even the youngest children can join in the fun!



#### Waterproof

The blocks are perfect for playing in the garden or in the pool!



#### Easy to clean

Just wipe the blocks with a damp cloth and you're done! You can also use soapy water or a steam cleaner.



#### Pleasant to the touch

Pleasant, safe and smooth material, no sharp edges.



#### Frost resistant

In winter, the blocks can be stored outside, even in severe frost.



#### Sand resistant

No gaps or recesses where sand could get in.



#### Resistant to UV radiation

It does not fade in sunlight. Its colour always remains the same, regardless of external conditions.



#### Flexible

After bending, it returns to its original shape.

### INSTRUCTIONAL VIDEOS:



Foam properties



Foam durability



Washing the blocks

**3-year warranty for damage resulting from material defects**

**MAMMUTICO® ELEMENTS are extremely durable – an important advantage for your facility's budget.**

<sup>1</sup> Our products comply with the following documents: Directive 2009/48/EC of the European Parliament and of the Council of 18 June 2009 on the safety of toys, as amended. Regulation (EC) No 1907/2006 of the European Parliament and of the Council REACH – Annex XVII, OJ L 396 of 30.12.2006, pp. 1- 794, as amended. PN-EN 71-1+A1:2018-08 – Safety of toys – Part 1: Mechanical and physical properties. PN-EN 71-2:2021-05 – Safety of toys – Part 2: Flammability. PN-EN 71-3+A1:2021-09 – Safety of toys – Part 3: Migration of certain elements.

### How to buy a Mammutico® Playground?

**Online** – Order directly through our online store – the fastest and most convenient way to purchase a Mammutico® playground.

**By email** – Send us an email with your enquiry or order details. After receiving your information and payment, you will receive an order confirmation along with the estimated production and delivery timeline.

**By phone** – Contact us directly – our team is happy to assist you in English.

### Support from our Educational Advisors

If you have any questions or would like to discuss your project in more detail, please visit the Contact section on the Mammutico website. There you will find the contact details of our Educational Advisors, who will help you choose the right solution, provide expert guidance, and – if needed – arrange a meeting.

### Order Processing Time

Orders placed in December are typically processed in January and February of the following year.



**Mammutico®**

Mammuti Co. Sp. z o.o.

Plac Zgody 6a, 05-820 Piastów

Tel. +48 729 97 37 37

[www.mammutico.com](http://www.mammutico.com)

[info@mammutico.com](mailto:info@mammutico.com)

